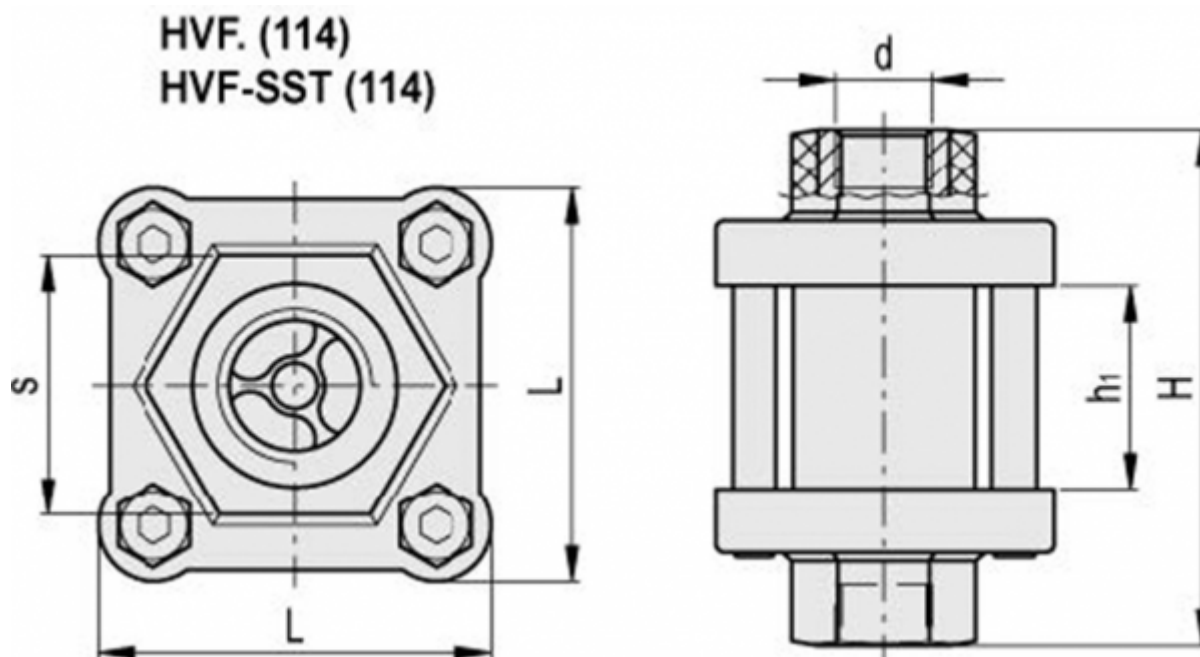


Article number: 2311111332

Description: E+G Visual flow indicators HVF.114-SST-3/4

Measures



d	= 3/4
H	= 114
h1	= 46
L	= 70
s	= 46
Weight in (g)	= 663